

F-Theta JENar™ Silverline™ Lens

High Power Lens – JENar™ 55-355-21

Parameters

JENar™ 55-355-21 Fused silica lens with different settings

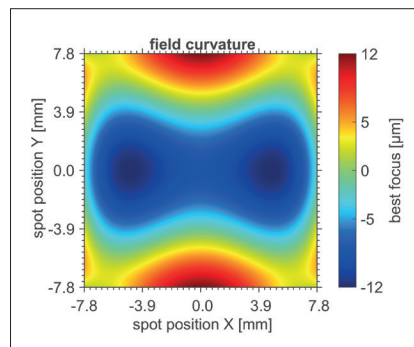
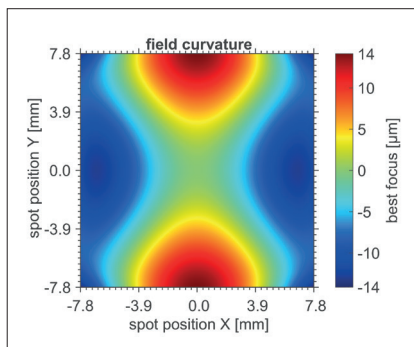
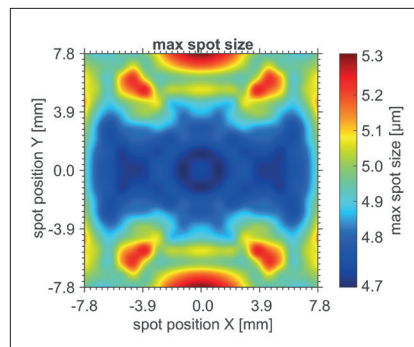
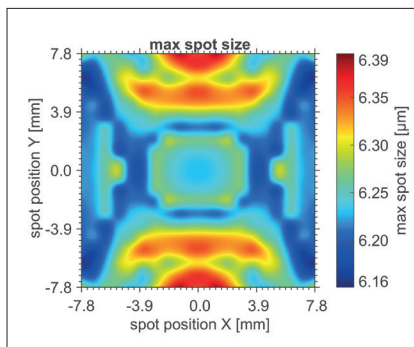
Focal length:	55.8 mm	55.8 mm
Wavelength:	355 nm	355 nm
Scan field (X x Y); Ø:	(15.6 mm x 15.6 mm); 21.8 mm	(11.7 mm x 11.7 mm); 16.5 mm ¹⁾
Diagonal scan angle:	± 11.3°	± 8.5°
X/Y mirror angle:	± 4°	± 3°
Back working distance:	60.4 mm	60.4 mm
Flange focus distance:	95.3 mm	95.3 mm
Input beam Ø 1/e ² :	6 mm	8 mm
Focus size Ø 1/e ² :	6 µm	4.5 µm
a1 a2:	13 mm 46.5 mm	13 mm 46.5 mm
Telecentricity (only F-Theta with scanner):	0.83° 1.56°	0.54° 1.13°
Group delay dispersion (GDD)*:	4021 fs ²	4021 fs ²
LIDT coating pulsed; CW*:	1.0 J/cm ² * (τ/[ns]) ^ 0.40; 1.0 MW/cm ²	1.0 J/cm ² * (τ/[ns]) ^ 0.40; 1.0 MW/cm ²
LIDT system pulsed; CW*:	1.0 J/cm ² * (τ/[ns]) ^ 0.40; 1.0 MW/cm ²	1.0 J/cm ² * (τ/[ns]) ^ 0.40; 1.0 MW/cm ²
Weight:	0.57 kg	0.57 kg
Order Number:	605678	

¹⁾ 21.8 mm scanfield possible without vignetting

Lens

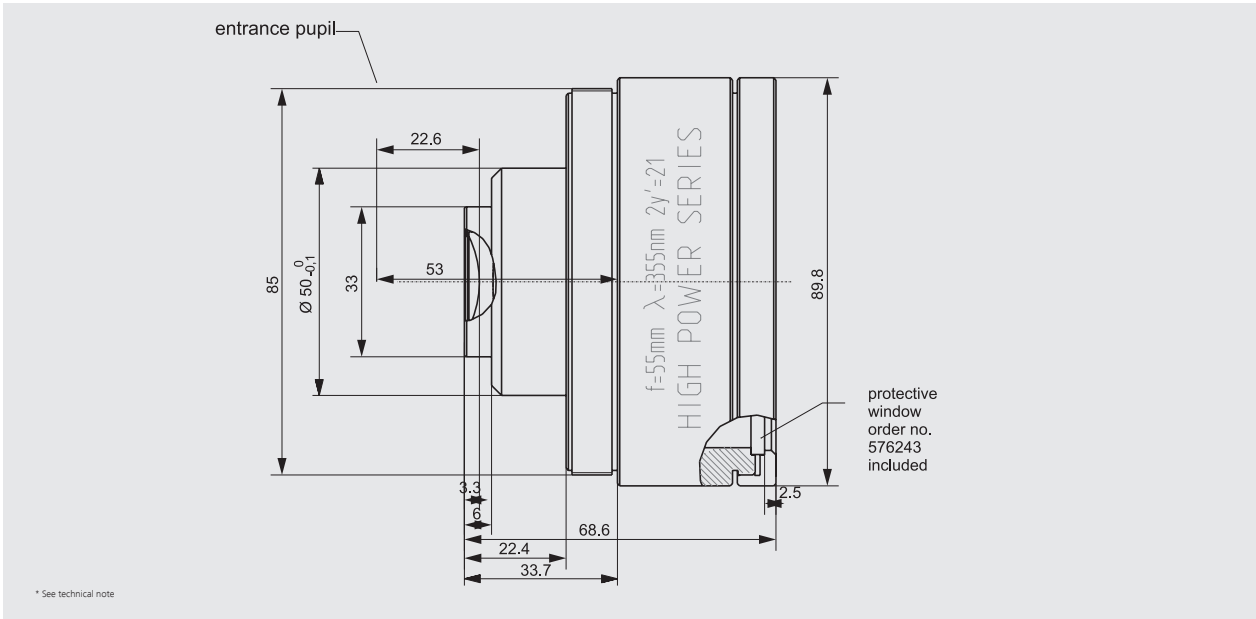
Spot properties JENar™ 55-355-21 | 6 mm

JENar™ 55-355-21 | 8 mm

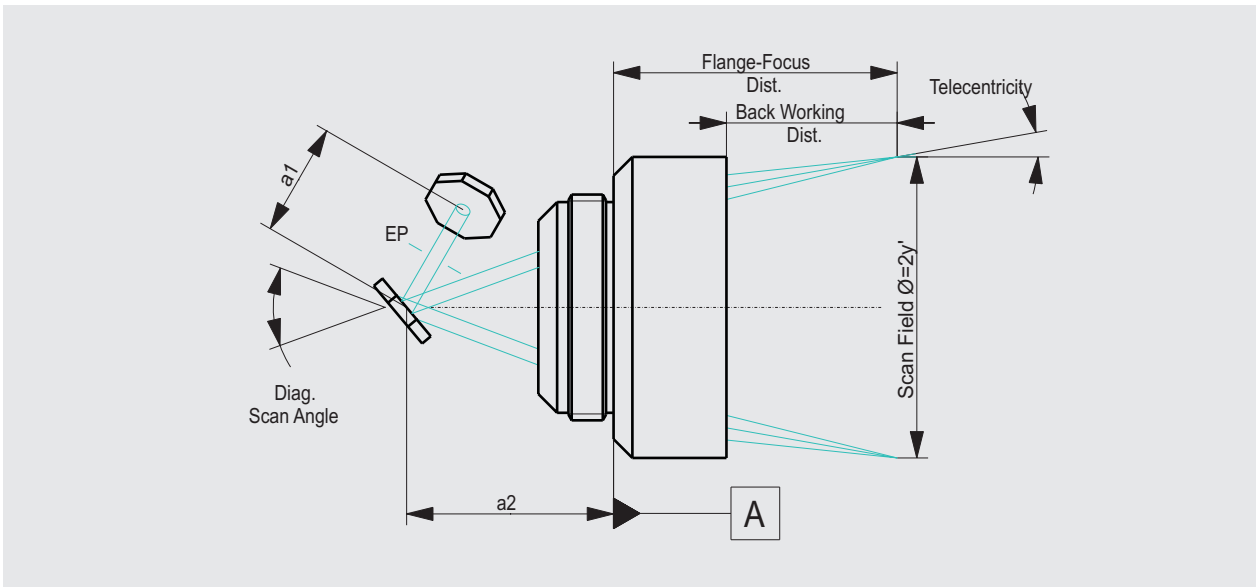


F-Theta JENar™ Silverline™ Lens High Power Lens – JENar™ 55-355-21

Specifications
JENar™ 55-355-21



Definition of geometrical parameters



JENar®: Registered in EU, CN, JP, SG, US | Silverline®: Registered in DE, JP, SG, IN
605678: Utility patent DE 20 2018 100 369 | Utility patent in CN, pending in JP, KR

The data given are nominal values for the specified application parameters. Jenoptik provides Zemax® BlackBox files for simulating application results for customized parameters (e.g. wavelength, scanner geometry, beam diameter, ...).
Back working distance, Flange focus distance, and focal length vary by $\pm 1.5\%$ due to manufacturing variances.

It is our policy to constantly improve the design and specifications. Accordingly, the details represented herein cannot be regarded as final and binding.