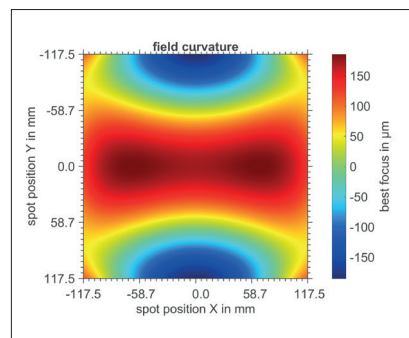
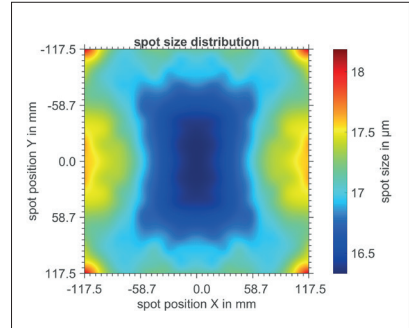


NEW

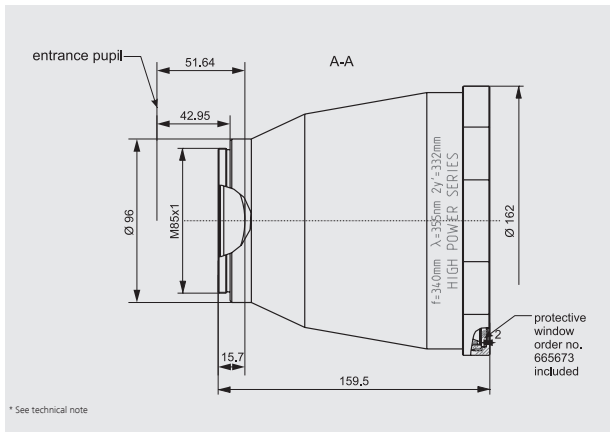
# F-Theta JENar™ Silverline™ Lens High Power Lens – JENar™ 340-355-332

Parameters	JENar™ 340-355-332 Fused silica lens for Ultrashort pulse
Focal length:	340 mm
Wavelength:	355 nm
Scan field ( X x Y ); Ø:	(235 mm x 235 mm); 332 mm
Diagonal scan angle:	± 26.8°
X/Y mirror angle:	± 9.5°
Back working distance:	234.8 mm
Flange focus distance:	387.3 mm
Input beam Ø 1/e <sup>2</sup> :	14 mm
Focus size Ø 1/e <sup>2</sup> :	16 µm
a1   a2:	17 mm   34.45 mm
Telecentricity (only F-Theta   with scanner):	22.8°   22.8°
Group delay dispersion (GDD)*:	6897 fs <sup>2</sup>
LIDT coating pulsed; CW*:	1.0 J/cm <sup>2</sup> * (τ/[ns]) ^ 0.40; 1 MW/cm <sup>2</sup>
LIDT system pulsed; CW*:	1.0 J/cm <sup>2</sup> * (τ/[ns]) ^ 0.40; 1 MW/cm <sup>2</sup>
Weight:	2.813 kg
Order Number:	663830

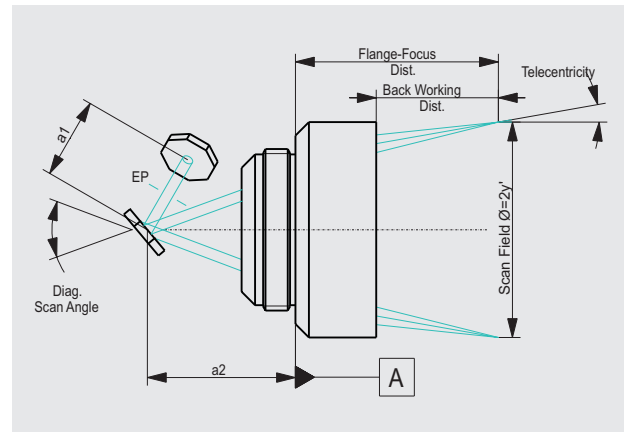
## Spot properties



## Specifications JENar™ 340-355-332



## Definition of geometrical parameters



JENar®: Registered in EU, CN, JP, SG, US | Silverline®: Registered in DE, JP, SG, IN

The data given are nominal values for the specified application parameters. Jenoptik provides Zemax® BlackBox files for simulating application results for customized parameters (e.g. wavelength, scanner geometry, beam diameter, ...).  
Back working distance, Flange focus distance, and focal length vary by ± 1.5 % due to manufacturing variances.

It is our policy to constantly improve the design and specifications. Accordingly, the details represented herein cannot be regarded as final and binding.